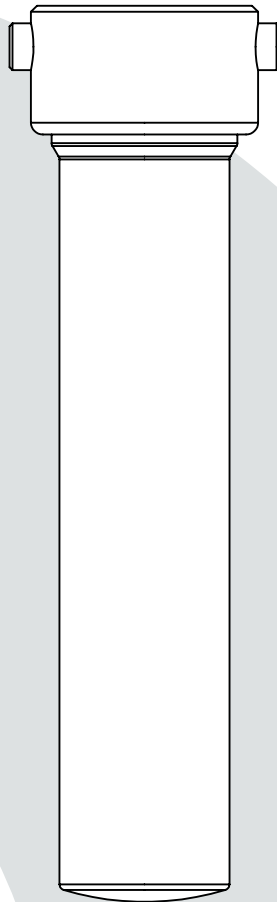




## Instruction manual

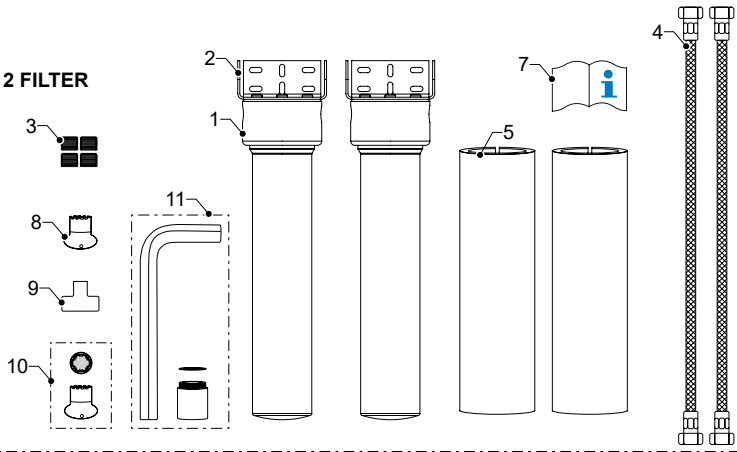


EN ...09 - 18

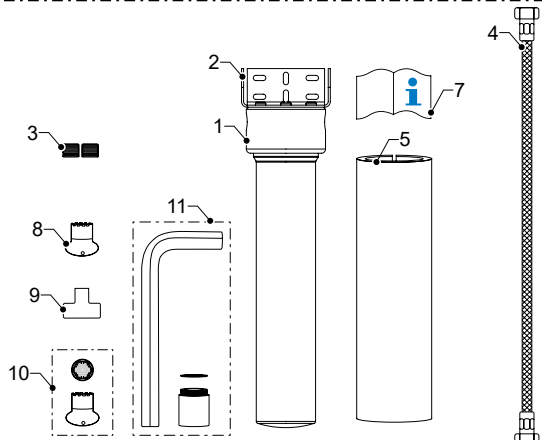
DE ...19 - 27

### COLDSTREAM FILTER SYSTEM

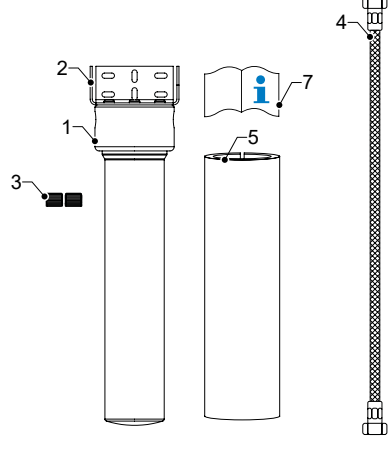
**DOUBLE SET  
BASSISSET FÜR 2 FILTER**



**SINGLE SET  
BASSISSET FÜR 1 FILTER**

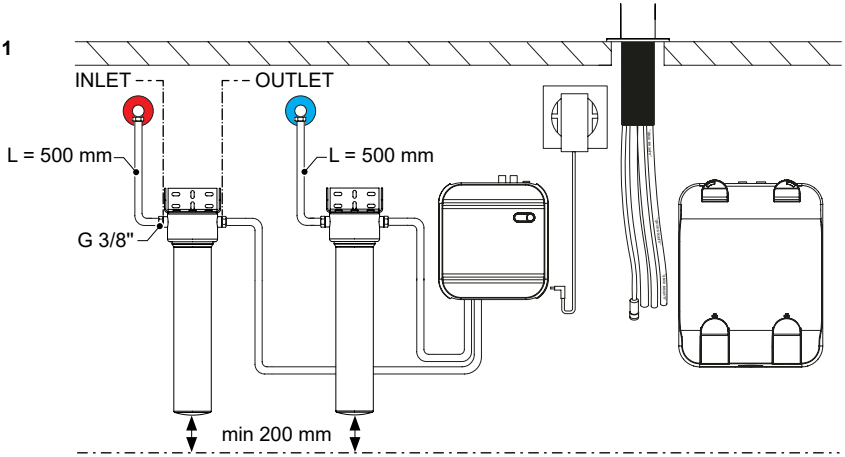


**BASIC SET FOR MANUAL FITTINGS  
BASSISSET FÜR HERKÖMMLICHE ARMATUREN**

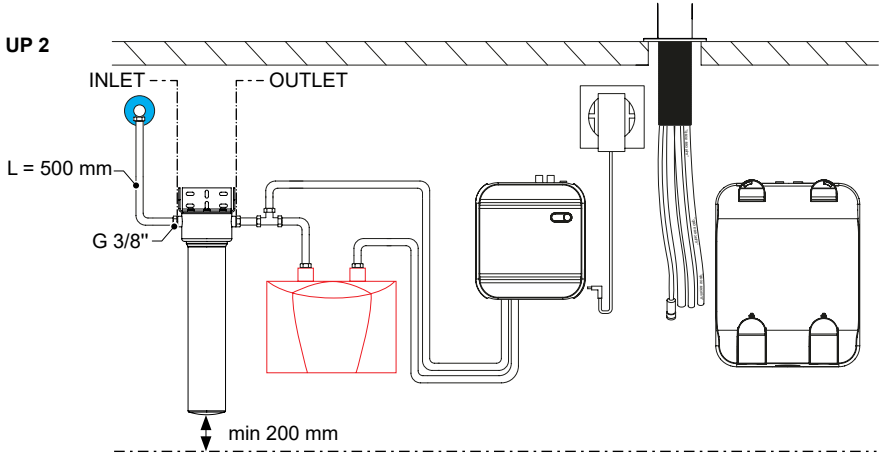


A

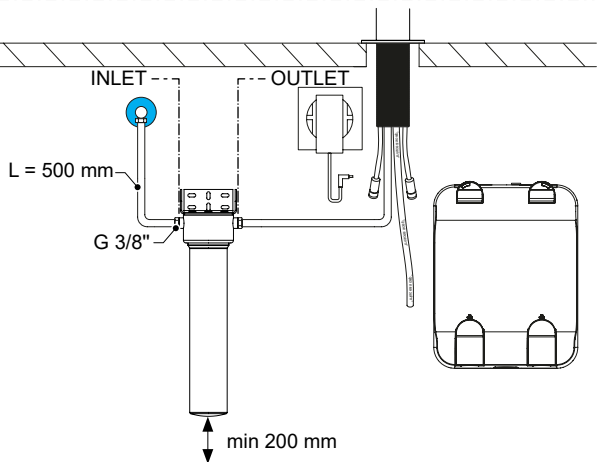
SET UP 1



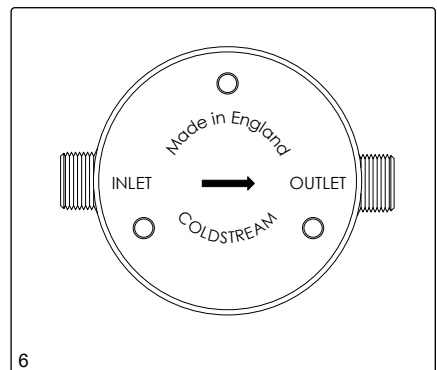
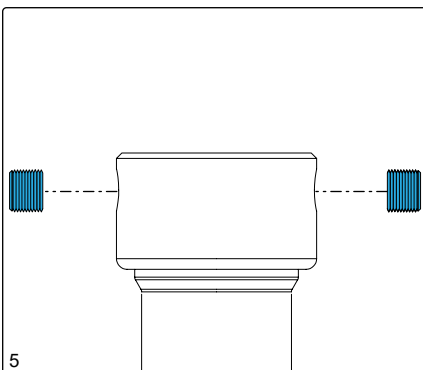
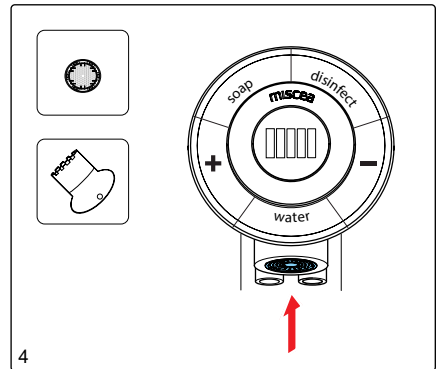
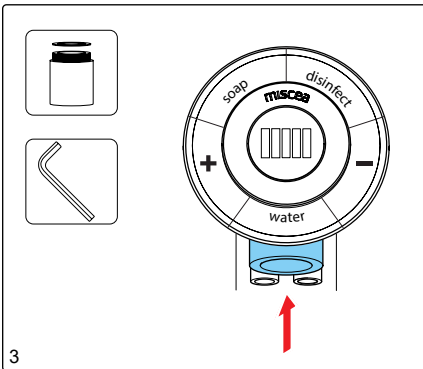
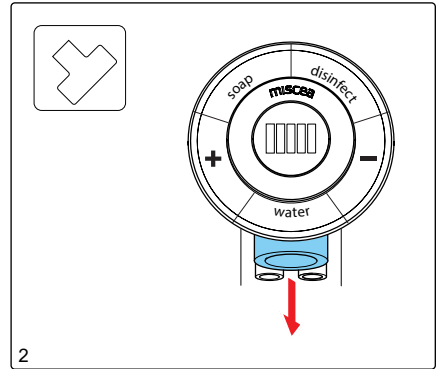
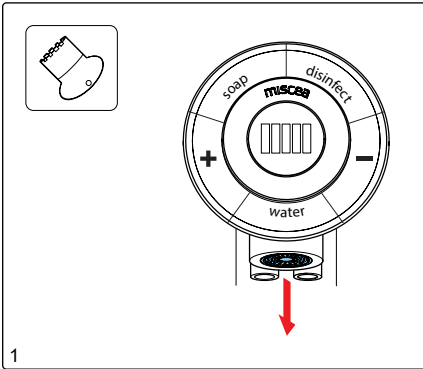
SET UP 2



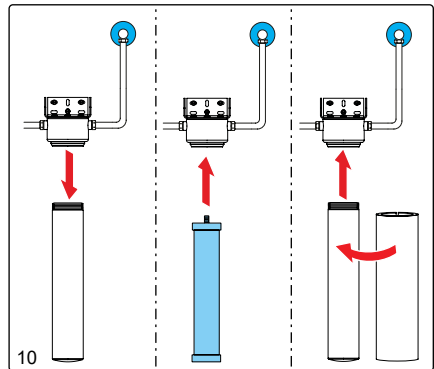
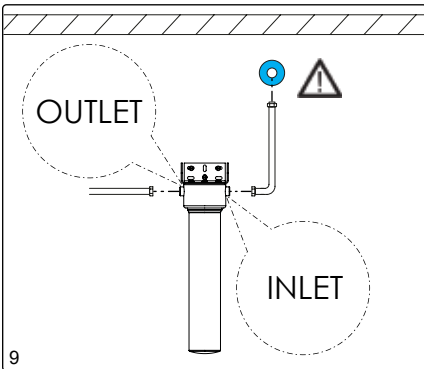
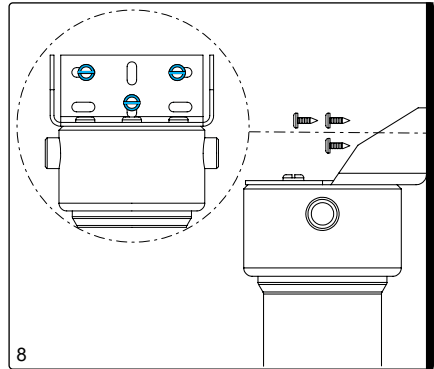
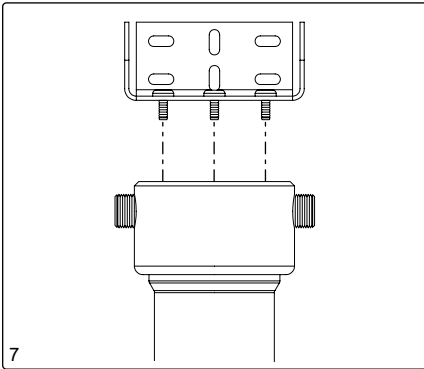
SET UP 3



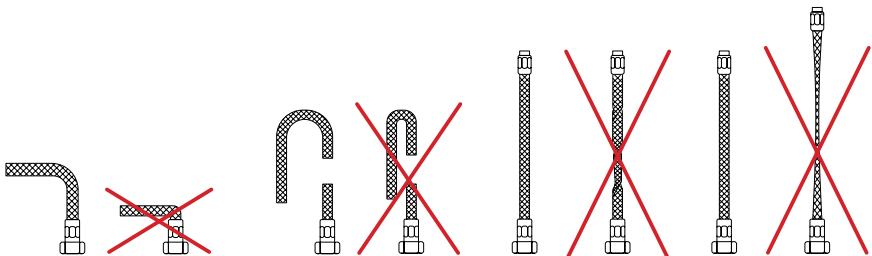
B

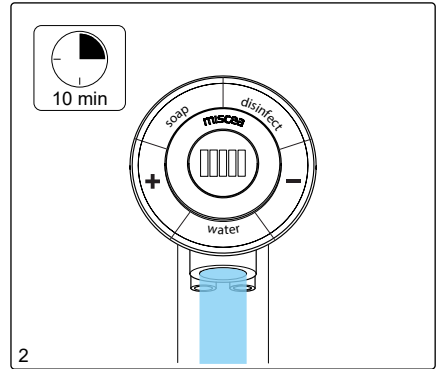
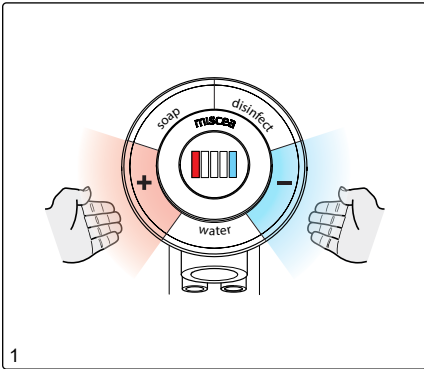


C1 - C6

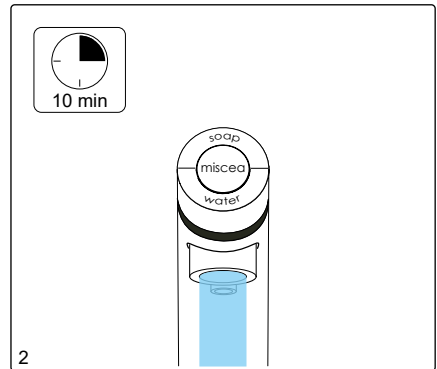
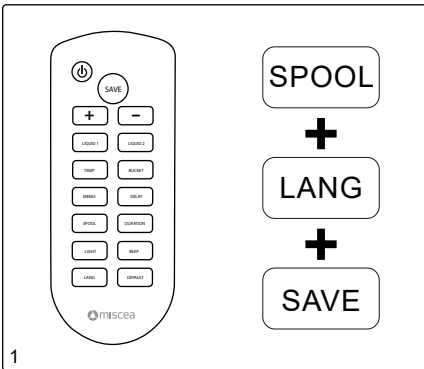


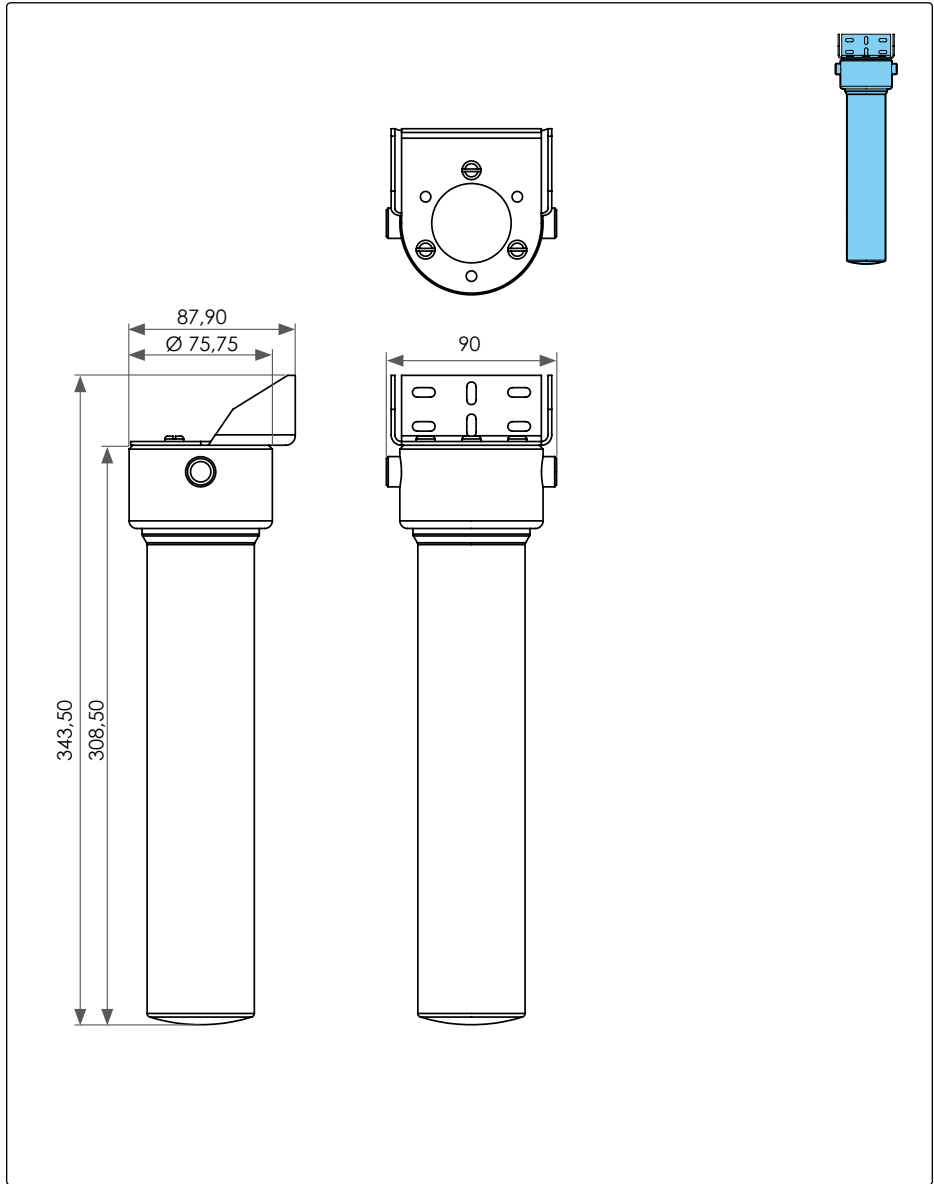
EN | Connect to water mains supply. Do not kink, stretch, or twist the flexible hoses.  
 DE | Verbindung zum Eckventil. Die Schläuche nicht verdrehen!





OR | ODER



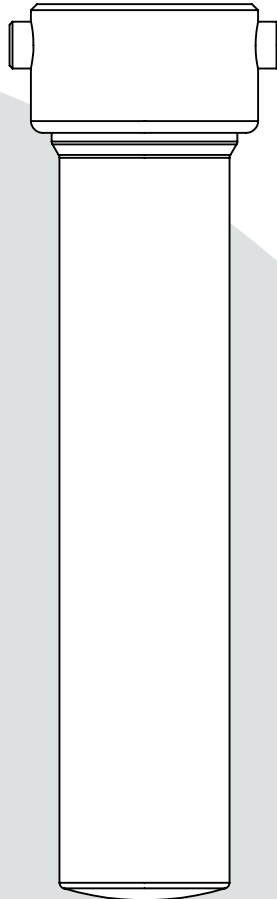








Instruction manual



EN DE

COLDSTREAM  
FILTER SYSTEM



© 2020 miscea GmbH

No part of this publication may be reproduced, transmitted, transcribed, stored in any retrieval system or translated into any human or computer language by any means or in any form, without the prior written permission of miscea. Contravention of the owner's copyright may also reduce the ability of miscea to provide effective support for its equipment.

All technical information, data and instructions contained in this manual for operations that can and are to be performed, are up to date at the time of editing.

This manual contains our current knowledge and experience to the best of our understanding. We reserve the right to make technical modifications arising from further development of the miscea product presented in these operating instructions. For this reason, no claims may be derived from technical data, descriptions and illustrations.

miscea reserves the right to make changes without notice to both this manual and to its products described within this manual. Nothing in this manual represents any contractual or other commitment on the part of miscea and should not be taken as such. All possible care has been taken in the preparation of this publication. Contact miscea for suggestions of improvement. This manual is originally written in English. A copy is available on request.

Version: V20.01

## Table of contents

<b>1.</b>	<b>General</b>	<b>12</b>
1.1	About this manual	12
1.2	Labels in this manual	12
<b>2.</b>	<b>Package Contents</b>	<b>12</b>
<b>3.</b>	<b>Description</b>	<b>13</b>
<b>4.</b>	<b>Installation</b>	<b>13</b>
4.1	Installing the system	13
<b>5.</b>	<b>Use</b>	<b>14</b>
5.1	Antibacterial Sterionuklide Aerator	14
5.2	miscea Coldstream Filter System	14
5.3	Replacing miscea Coldstream Max filter cartridge	14
5.4	miscea sensor faucet system automatic spool cycle	14
5.5	Switch on/adjust the automatic spool cycle	15
<b>6.</b>	<b>Cleaning and maintenance</b>	<b>16</b>
6.1	Storage	16
6.2	Cleaning	16
<b>7.</b>	<b>Information</b>	<b>16</b>
7.1	Warranty	16
7.2	Contact information	16
7.3	Updates of the manual	16
<b>8.</b>	<b>Technical Data</b>	<b>17</b>

## 1. General

### 1.1 About this manual

This manual includes technical specifications, instructions and explanations that help to use the product safely. Read and understand these instructions before you transport, install, commission, restart, operate or perform maintenance on the product.

The illustrations, drawings and graphics in this manual may be different from the actual components. Contact your local supplier for questions that are not answered in this manual.

Keep this manual for future reference. Please pass these instructions on to the end user!

### 1.2 Labels in this manual



#### **WARNING**

A warning means that injury or death is possible if the instructions are not followed.



#### **CAUTION**

A caution means that damage to the equipment is possible.



A note gives additional information, e.g. for a procedure.

## 2. Package Contents

Refer to fig. A for the identification of the package contents for miscea Coldstream Filter Sets.

1. Stainless steel filter housing
2. Filter mounting bracket
3. 3/8" fittings for filter housing
4. 3/8" metal braided tubes
5. Insulator case
6. Installation kit
7. Instructions

For miscea Coldstream Filter System Single Set and Double Set, the above listed items and the following items below are included.

SINGLE / DOUBLE SET:

8. miscea aerator tool
9. miscea water outlet tool
10. Antibacterial Sterionuklide aerator + aerator tool
11. miscea Aqualibur water outlet (stainless steel) + water outlet tool

### 3. Description

The **miscea Coldstream Filter System** is an inline water filter system that consists of a ceramic water purifier cartridge encased in a stylish, high-quality, stainless steel housing. It is a single stage water filter that is installed directly under the sink and can be connected to your miscea sensor faucet system for clean, safe, and healthy water. Using 3 layers of filtration in a single cartridge, the miscea Coldstream Max Filter effectively and simultaneously protects against over 70 known water contaminants.

The **Sterionuklide Aerator** has antibacterial properties to protect against contamination at the water outlet and only needs to be changed once every 5 years. This combined with the automatic flush function of miscea sensor faucets and the miscea Coldstream Filter System will provide the ultimate protection for safer water instantly at the point of use.

The following sets are available (refer to fig. A)

- miscea Coldstream Filter System **Basic Set for manual faucets**
- miscea Coldstream Filter System **Single Set for miscea faucets**
- miscea Coldstream Filter System **Double Set for miscea faucets**

### 4. Installation



#### CAUTION

- When handling the miscea Coldstream Max filter cartridge, do not touch the ceramic material on the filter.
- Make sure that the hoses for the liquids are correctly connected.
- Only use the supplied materials to install the system.
- Make sure the surface on which the system is installed is strong enough to support the weight of the stainless steel filter case.
- Care must be taken that the system components are easily accessible for maintenance work.
- Open cold and hot water supply and check connections for leaks.
- Flush the water supply system thoroughly before installing the system (Observe DIN 1988 / DIN EN 806!). Be sure that the water supply is clean.
- Install a shut-off valve between the water supply and the filter system. In case of maintenance or repair work to the system, the shut-off valve can be closed and it will not be necessary to shut off the water supply system.

#### 4.1 Installing the system

- Refer to fig. B for the various set up possibilities with miscea sensor faucet systems.
  - SET UP 1: Filter system + miscea CLASSIC / KITCHEN model
  - SET UP 2: Filter system + instantaneous water heater + miscea CLASSIC / LIGHT model
  - SET UP 3: Filter system + miscea LIGHT model
- Refer to fig. C1 - C4 for the installation of the antibacterial Sterionuklide aerator. Assemble the parts in the given order.
- Refer to fig. C5 - C10 for the installation of the miscea Coldstream Filter System. Assemble the system in the given order. Before using, flush the system for 10 minutes to remove any loose materials. Refer to fig. D to perform a manual flush with miscea sensor faucet systems.

## 5. Use

### 5.1 Antibacterial Sterionuklide Aerator

- Please change the antibacterial Sterionuklide aerator every 5 years.

### 5.2 miscea Coldstream Filter System

- Make sure that the installation procedure is correctly executed before you use the filter.
- The maximum flow rate will be achieved when the filter has become completely saturated. The ceramic contains many air pores after manufacture and it will take up to 1 week for the trapped air to completely escape and the maximum flow rate to be achieved
- Please change the miscea Coldstream Max filter cartridge every 6 months.
- If the filter is not used for 5 days it is recommended that faucet is flushed for 2 to 3 minutes before using.

### 5.3 Replacing the Coldstream Filter cartridge

Refer to fig. C10 for changing the Coldstream Max filter cartridge. Before using, flush the system for 10 minutes to remove any loose materials. Refer to fig. D to perform a manual flush with miscea sensor faucet systems.

### 5.4 miscea sensor faucet system automatic spool cycle



Please note this function is by default switched off and can be switched on using the miscea remote control.



The miscea remote control is required in order to turn on and adjust the automatic spool cycle function.



In order for the automatic spool function to function correctly please ensure the following conditions are met:

- the miscea system must be always be connected to power
- the duration of the automatic spool cycle is not set to 0 min.

**See “Change duration of the automatic spool cycle”**

The automatic spool function of miscea sensor faucet systems is designed to reduce the risk of the waterline being infected with Legionella and other waterborne bacteria through regular automated flushing of the waterline.

The system will automatically flush with water after a certain amount of time the system has not been used while connected to a power supply. While flushing, the system automatically passes step by step through the entire temperature range beginning with cold water and ending with hot water.










## 5. Use

### 5.5 Switch on / adjust the automatic spool cycle

There are two settings relating to the automatic spool cycle function:

1. the frequency of the automatic spool cycles
2. the duration of each automatic spool cycle

For each setting, there are 9 options available. Each option is indicated with a different beep tone on the faucet. For miscea models with a display screen, this will also be indicated visually on the screen. Please see the table below for an overview of available options.

Position	1	2	3	4	5	6	7	8	9
Bar position	Min 								Max 
Time between Spool Cycle in hours	0	4* 24	8* 48	12* 72	24* 96	48* 120	72* 144	96* 168	120* 252
Duration of Spool Cycle in minutes	0	2	4	6	8	10	15	20	30

Default settings are highlighted in green. From faucet software version 1.59 and higher, times marked with \* apply.

Use the miscea remote control to adjust the settings relating to the automatic spool cycle.

#### Change the frequency of the automatic spool cycles

SPOOL

To change the frequency of the automatic spool cycles, press the «SPOOL» button. The water sector will light up. With the «+» and «-» buttons on the remote control, the frequency of spool cycles can be changed.

To save settings, press the «SAVE» button. All colored LED lights illuminate to indicate new setting has been saved. If «SAVE» button is not pressed within 10 seconds of last selection, previously saved setting will be stored.

#### Change duration of the automatic spool cycle

DURATION

During a spool cycle, water will automatically dispense for "X" amount of time referred to as the DURATION on the remote control.

To change the duration of the automatic spool cycle, press the «DURATION» button. The water sector will light up. With the «+» and «-» buttons, the duration of continuous water flow in spool mode can be changed.

To save settings, press the «SAVE» button. All colored LED lights illuminate to indicate new setting has been saved. If «SAVE» button is not pressed within 10 seconds of last selection, previously saved setting will be stored.

## 6. Cleaning and maintenance



### **CAUTION**

Do not clean the filter housing with abrasives, strong acids or bleach products.

### **6.1 Storage**

- Store the system and any unused Coldstream Max filter cartridges in a cool, dry place, out of reach of children.

### **6.2 Cleaning**

For a general cleaning of the surfaces of the miscea Coldstream Filter System, please note the following:

- Clean the system with a soft, clean cloth, water and a mild cleaning product.
- To maintain the finish quality of your miscea Coldstream Filter System, the following notes must be observed: brushed stainless steel surfaces are sensitive to acid and abrasive detergents and sponges. If soiled or calcified, clean the filter case with soapy water or dilute a mild cleaning solution such as vinegar, rinse well with clean water and dry. Damage caused by improper handling is not covered by the product warranty.

## 7. Warranty and information

### **7.1 Warranty**

The warranty period is 6 months from the date of purchase documented on the purchase receipt.

### **7.2 Contact information**

For questions about where to buy our products or questions concerning the use or installation, please visit our website for the miscea representative in your country.

miscea Coldstream Max Filters are manufactured by: KLT Filtration Ltd, Estuary Road, King's Lynn, Norfolk, PE30 2HS, UK. T: +44 1553 622000

### **7.3 Updates of the manual**

We update this manual regularly. If you want to have the latest version of this manual, you can download a copy from [www.miscea.com](http://www.miscea.com) or send your request to [info@miscea.com](mailto:info@miscea.com).



## 8. Technical data

### PERFORMANCE SPECIFICATIONS

Parameter	Value
Operating water pressure	0.6 – 8.6 bar
Operating water temperature range	5°C – 70°C
Rated Capacity	6000 L
miscea Coldstream Max Filter removes:	99.9% Bacteria 99.9% Virus 99.9% Chemicals 99.9% Pharmaceuticals 99.9% Heavy metals 99.9% Pesticide and Herbicide 99.9% Particles and microplastics
Rated flow	Effectively inhibits scale in hard water areas* 2 x Filters: 4,5 L/min 1 x Filter + instant water heater: 2,5 L/min 1 x Filter: 2,5 L/min

### TRANSPORT & STORAGE

Parameter	Value
Transport weight	Double Set: 4,5 kg Single Set: 2,7 kg Basic Set excl. Antibacterial Aerator Kit: 2,5 kg
Dimensions packaging	48 cm x 31 cm x 22 cm
Storage temperature	10 - 50 °C

### DIMENSIONS

Component	Value
miscea Coldstream Filter Casing	Fig. E

The performance specifications as mentioned in the table have been tested and certified.

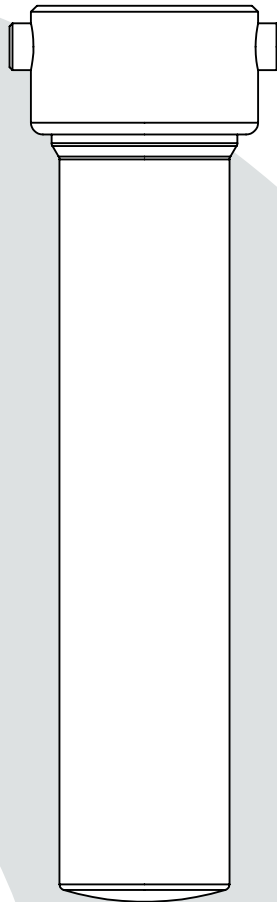
- Purifier usage must comply with all state and local laws.
- Testing was performed under standard laboratory conditions, actual performance may vary.
- Systems certified for cyst reduction may be used on disinfected waters that may contain filterable cysts.
- This water purifier is not intended to convert waste water or raw sewage into drinking water.
- All contaminants reduced by this purifier are listed in the product performance data sheet. Please contact miscea GmbH to receive the latest version.
- Not all contaminants listed may be present in your water.







Betriebsanleitung



EN DE

COLDSTREAM  
FILTER SYSTEM



© 2020 miscea GmbH

Kein Teil dieser Veröffentlichung darf ohne die vorherige schriftliche Einwilligung von miscea in beliebiger Weise oder Form reproduziert, übertragen, aufgezeichnet, in einem Datenträger gespeichert bzw. in eine menschliche oder Computersprache übersetzt werden. Bei einer Verletzung des Urheberrechtes sieht miscea sich eventuell nicht mehr dazu in der Lage, wirksame technische Unterstützung für das Produkt zu bieten.

Sämtliche technischen Informationen, Daten und Anweisungen in dieser Anleitung zu Schritten, deren Ausführung möglich und nötig ist, sind zum Zeitpunkt der Herausgabe auf dem neuesten Stand.

Diese Anleitung spiegelt nach bestem Wissen und Gewissen unser derzeitiges Know-how und unsere bisherigen Erfahrungen wider.

Wir behalten uns das Recht vor, technische Änderungen im Rahmen der Weiterentwicklung des in dieser Anleitung vorgestellten miscea-Produktes vorzunehmen. Aus diesem Grund sind aus den technischen Daten, Beschreibungen und Abbildungen keinerlei Rechte abzuleiten.

miscea behält sich das Recht vor, sowohl diese Anleitung als auch die darin beschriebenen Produkte ohne vorherige Ankündigung zu ändern. Kein Teil dieser Anleitung stellt eine vertragliche oder sonstige Verpflichtung von miscea dar oder ist so zu verstehen. Diese Veröffentlichung wurde mit größtmöglicher Sorgfalt vorbereitet. Wenden Sie sich in Zusammenhang mit Verbesserungsvorschlägen bitte an miscea. Das Original dieser Anleitung ist in englischer Sprache verfasst. Eine Kopie ist auf Anfrage erhältlich.

Version: V20.01

# Inhaltsverzeichnis

<b>1.</b>	<b>Allgemeines</b>	<b>22</b>
1.1	Über diese Anleitung	22
1.2	Zeichen in dieser Anleitung	22
<b>2.</b>	<b>Verpackungsinhalt</b>	<b>22</b>
<b>3.</b>	<b>Technische Beschreibung</b>	<b>23</b>
<b>4.</b>	<b>Installation</b>	<b>23</b>
4.1	Installation des Systems	23
<b>5.</b>	<b>Gebrauch</b>	<b>24</b>
5.1	Antibakterieller Sterionuklider Strahlregler	24
5.2	miscea Coldstream Filter System	24
5.3	Austauschen der Coldstream Filterkartusche	24
5.4	Automatischer Spülzyklus bei miscea Sensor-Armatursystemen	24
5.5	Einschalten des Automatischen Spülzyklus	25
<b>6.</b>	<b>Lagerung und Wartung</b>	<b>26</b>
6.1	Lagerung	26
6.2	Reinigung	26
<b>7.</b>	<b>Information</b>	<b>26</b>
7.1	Garantie und Information	26
7.2	Kontaktinformation	26
7.3	Aktualisierungen der Betriebsanleitung	26
<b>8.</b>	<b>Technische Daten</b>	<b>27</b>

## 1. Allgemeines

### 1.1 Über diese Anleitung

Diese Anleitung enthält technische Daten, Anweisungen und Erläuterungen zur sicheren Verwendung dieses Produktes. Vor Transport, Installation, Inbetriebnahme, Neustart, Bedienung oder Wartung des Produktes sind diese Anweisungen zu lesen und zu verstehen.

Die Abbildungen, Zeichnungen und Grafiken in dieser Anleitung unterscheiden sich eventuell von den tatsächlichen Bauteilen. Wenden Sie sich mit Fragen, die nicht in dieser Anleitung beantwortet werden, an Ihren Lieferanten vor Ort. Bewahren Sie diese Anleitung zur künftigen Bezugnahme auf. Bitte diese Anleitung an den Benutzer weitergeben!

### 1.2 Zeichen in dieser Anleitung



#### **WARNUNG**

Eine Warnung bedeutet, dass die Gefahr von Verletzungen - auch tödlichen - besteht, wenn die Anweisungen nicht befolgt werden.



#### **VORSICHT**

Vorsicht bedeutet, dass Schäden am Gerät möglich sind.



Ein Hinweis liefert Zusatzinformationen, z.B. für eine Maßnahme.

## 2. Verpackungsinhalt

Beschreibung des Verpackungsinhalts siehe Abb. A.

1. Filtergehäuse in Edelstahl
2. Filter Montagewinkel
3. Gewintheadapter für Anschluss der 3/8" Panzerschläuche
4. 3/8" Panzerschlauch
5. Isolierung des Filtergehäuses
6. Befestigungsset
7. Bedienungsanleitung

Bei den miscea Coldstream Filter Systemen Basisset für 1 und 2 Filter kommen zusätzlich die folgenden Artikel hinzu:

8. Schlüssel zum Entfernen des miscea Strahlreglers
9. Schlüssel zum Entfernen des miscea Wasserauslaufs
10. Antibakterieller Sterionuklider Strahlregler + Montageschlüssel
11. miscea Aqualibur Wasserauslauf (Edelstahl) + Montageschlüssel

### 3. Technische Beschreibung

Das **miscea Coldstream Filter System** ist ein Inline-Wasserfiltersystem, das aus einer keramischen Wasseraufbereitungspatrone besteht, die in einem eleganten, hochwertigen Edelstahlgehäuse untergebracht ist. Es handelt sich um einen eigenständigen Wasserfilter, der mit Ihrer miscea Spenderarmatur verbunden wird und so für sauberes, sicheres und gesundes Wasser sorgt. Durch die Verwendung von 3 Filterschichten in einer einzigen Kartusche schützt der Coldstream Max Filter effektiv vor über 70 bekannten Wasserverschmutzungen.

Der **Sterionuklide Strahregler** hat antibakterielle Eigenschaften zum Schutz vor Kontamination des Wasserauslasses. Er braucht nur alle 5 Jahre gewechselt werden. In Kombination mit der automatischen Spülfunktion von miscea-Sensorarmatursystemen und dem miscea-Coldstream-Filtersystem bietet dies den ultimativen Schutz vor verunreinigtem Wasser an der Entnahmestelle.

Die folgenden Sets sind erhältlich (siehe Abb. A)

- miscea Coldstream Filter System **Basisset für 1 Filter für miscea Armatursysteme**
- miscea Coldstream Filter System **Basisset für 2 Filter für miscea Armatursysteme**
- miscea Coldstream Filter System **Basisset für 1 Filter für herkömmliche Armaturen**

### 4. Installation



#### VORSICHT

- Berühren Sie nicht das keramische Material des Filters.
- Vergewissern Sie sich, dass die Panzerschläuche richtig angeschlossen sind.
- Nur Originalersatz- und Zubehörteile verwenden.
- Führen Sie die Installation sicher an einer Stelle aus, die stabil genug ist, um das Gewicht des Gerätes zu tragen.
- Es ist darauf zu achten, dass die Systemkomponenten für Wartungsarbeiten gut zugänglich sind.
- Kalt- und Warmwasserzufuhr öffnen und Anschlüsse auf Dichtheit prüfen.
- Spülen Sie die Warm- und Kaltwasserzuleitung gründlich durch, bevor Sie das System installieren (DIN 1988/DIN EN 806 beachten). Vergewissern Sie sich, dass das Wasser absolut sauber ist.
- Installieren Sie ein Eckventil zwischen der Wasserversorgung und dem System. Im Falle von Wartungs- oder Reparaturarbeiten am System kann dieses Eckventil geschlossen werden.

#### 4.1 Installation des Systems

- Siehe Abb. B für die verschiedenen Einrichtungsmöglichkeiten mit miscea-Sensorarmatursystemen.  
**Konfiguration 1:** 2 x Filter + miscea CLASSIC / KITCHEN Armatursystem  
**Konfiguration 2:** 1 x Filter + Durchlauferhitzer + miscea CLASSIC/LIGHT Armatursystem  
**Konfiguration 3:** 1 x Filter + miscea LIGHT Armatursystem
- Installation des Sterionuklide Strahregler siehe Abb. C1 - C4. Bauen Sie den antibakteriellen Sterionukliden Strahregler in der angegebenen Reihenfolge zusammen.
- Installation des miscea Coldstream Filter Systems siehe Abb. C5 - C10. Bauen Sie das System in der angegebenen Reihenfolge zusammen.

## 5. Gebrauch

### 5.1 Antibakterieller Sterionuklider Strahlregler

- Bitte wechseln Sie den Sterionukliden Strahlregler alle 5 Jahre.

### 5.2 miscea Coldstream Filter System

- Stellen Sie sicher, dass die Installation korrekt ausgeführt wurde, bevor Sie den Filter verwenden.
- Der maximale Durchfluss ist erreicht, wenn der Filter vollständig gesättigt ist. Die Keramik enthält nach der Herstellung viele Luftporen und es dauert bis zu 1 Woche, bis die eingeschlossene Luft vollständig entweicht und der maximale Durchfluss erreicht wird.
- Bitte wechseln Sie die miscea Coldstream Max- Filterkartusche alle 6 Monate.
- Wenn der Filter 5 Tage lang nicht benutzt wird, wird empfohlen, die Wasserarmatur vor Gebrauch 2 bis 3 Minuten lang zu spülen.

### 5.3 Austauschen der Coldstream Filterkartusche

Siehe Abb. C10 zum Wechseln der Coldstream Max- Filterkartusche. Spülen Sie das System vor der Verwendung 10 Minuten lang, um loses Material zu entfernen. Siehe Abb. D zur Durchführung einer manuellen Spülung mit miscea-Sensor-Armatursystemen.

### 5.4 Automatischer Spülzyklus bei miscea Sensor-Armatursystemen



Bitte beachten Sie, dass diese Funktion standardmäßig ausgeschaltet ist und nur mit der miscea-Fernbedienung eingeschaltet werden kann.



Die miscea-Fernbedienung wird benötigt, um den automatischen Spülzyklus einzuschalten und einzustellen.



Damit der automatische Spülzyklus korrekt funktioniert, stellen Sie bitte sicher, dass die folgenden Bedingungen erfüllt sind:

- Das miscea-System muss immer an die Stromversorgung angeschlossen sein.
- Die Dauer des automatischen Spülzyklus darf nicht auf 0 min eingestellt sein.

**Siehe „Einstellen der Dauer des automatischen Spülzyklus“.**

Diese Spülfunktion wird dazu verwendet, um die Bildung von Legionellen und anderen pathogenen Mikroorganismen im Wasser zu verhindern. Ist längere Zeit kein Wasser durch die Armatur geflossen und ist die Armatur am Stromnetz angeschlossen, wird das System nach der festgelegten Zeit automatisch mit Wasser durchgespült. Hierbei durchläuft die Armatur schrittweise alle Temperaturbereiche beginnend bei kaltem Wasser bis hin zu heißem Wasser.












## 5. Gebrauch

### 5.5 Einschalten des Automatischen Spülzyklus

Es gibt zwei Einstellungen in Bezug auf die Funktion des automatischen Spülzyklus:

1. Einstellen des Zeitabstandes von Spülzyklen
2. Einstellen der Dauer des automatischen Spülzyklus

Es stehen 9 Einstellungen zur Verfügung. Jede Einstellung wird mit einem anderen Signalton angezeigt. Für miscea Modelle mit einem Display, wird dies auch visuell angezeigt. Die folgende Tabelle gibt einen Überblick über die Einstellmöglichkeiten.

Position	1	2	3	4	5	6	7	8	9
Balkenposition	Min 								Max 
Zeitabstand Spülzyklus pro Stunden	0	4* 24	8* 48	12* 72	24* 96	48* 120	72* 144	96* 168	120* 252
Dauer Spülzyklus pro Minute	0	2	4	6	8	10	15	20	30

Die Standardeinstellungen sind grün. Mit \* markierte Zeiten gelten nur ab Auslauf-Software-Version 1.59 und höher.

Verwenden Sie die miscea-Fernbedienung, um die Einstellungen für den automatischen Spülzyklus anzupassen.

#### Einstellen des Zeitabstandes von Spülzyklen

SPOOL

Drücken Sie die Taste «SPOOL». Mit den Tasten «+» und «-» auf der Fernbedienung können Sie die Dauer der Zeit zwischen den Spülzyklen ändern.

Um die Einstellung zu speichern, drücken Sie die Taste «SAVE». Alle farbigen LEDs leuchten auf und zeigen an, dass die neue Einstellung gespeichert wurde. Wird die Taste «SAVE» nicht innerhalb von 10 Sekunden nach der letzten Auswahl gedrückt, verfällt die letzte Einstellung.

#### Einstellen der Dauer des automatischen Spülzyklus

DURATION

Während dem Spülzyklus wird die Armatur automatisch für eine gewisse Zeit mit Wasser durchgespült. Die Dauer dieser Spülung kann programmiert werden.

Drücken Sie die Taste «DURATION». Mit den Tasten «+» und «-» auf der Fernbedienung können Sie die Dauer des kontinuierlichen Wasserflusses im Spülmodus ändern.

Um die Einstellung zu speichern, drücken Sie die Taste «SAVE». Alle farbigen LEDs leuchten auf und zeigen an, dass die neue Einstellung gespeichert wurde. Wird die Taste «SAVE» nicht innerhalb von 10 Sekunden nach der letzten Auswahl gedrückt, verfällt die letzte Einstellung.

## 6. Lagerung und Wartung



### **VORSICHT**

System nicht mit aggressiven, stark ätzenden oder bleichenden Produkten reinigen.

### **6.1 Lagerung**

- Lagern Sie die Filter an einem trockenen Ort und außerhalb der Reichweite von Kindern.

### **6.2 Reinigung**

Bei einer einfachen Reinigung der Außenseite ist folgendes zu beachten:

- Reinigen Sie das System mit einem weichen, sauberen Lappen, Wasser und einem milden Reinigungsmittel.
- Um die Schönheit der hochwertigen Oberfläche zu erhalten, sind folgende Hinweise zu beachten: gebürstete Edelstahl-Oberflächen sind empfindlich gegen säure- und sandhaltige Reinigungsmittel sowie kratzende Schwämme. Bei Verschmutzung oder Verkalkung, Filtergehäuse mit Seifenwasser oder verdünntem Haushaltsessig reinigen, mit klarem Wasser nachspülen und trockenreiben. Schäden, die durch unsachgemäße Behandlung entstehen, unterliegen nicht der Produkt-Gewährleistung.

## 7. Garantie und Information

### **7.1 Garantie**

Der Garantiezeitraum beträgt 6 Monaten ab dem Kaufdatum gemäß Kaufbeleg.

### **7.2 Kontaktinformation**

Wenn Sie an Informationen über Verkaufsstellen unserer Produkte oder Antworten auf Fragen zur Verwendung oder Montage interessiert sind besuchen Sie unsere Website. Dort finden Sie einen miscea-Vertreter für Ihr Land.

miscea Coldstream Max Filterkartusche sind hergestellt von: KLT Filtration Ltd, Estuary Road, King's Lynn, Norfolk, PE30 2HS, VK. T: +44 1553 622000

### **7.3 Aktualisierungen der Betriebsanleitung**

Wir aktualisieren diese Betriebsanleitung regelmäßig. Eine Kopie der jüngsten Fassung dieser Betriebsanleitung können Sie unter [www.miscea.com](http://www.miscea.com) herunterladen oder Ihre Anfrage an [info@miscea.com](mailto:info@miscea.com) senden.

## 8. Technische Daten

### LEISTUNGSDATEN

Parameter	Wert
Betriebsdruck	0.6 – 8.6 bar
Temperaturbereich	5°C – 70°C
Filterkapazität	6000 L
miscea Coldstream Max Filter schützt vor:	99.9% Bakterien 99.9% Virus 99.9% Chemikalien 99.9% Arzneimittel 99.9% Schwermetalle 99.9% Pestizide und Herbizide 99.9% Partikel und Mikroplastik Reduziert Ablagerungen in Regionen mit hartem Wasser*
Nenndurchfluss	2 x Filter: 4,5 L/min 1 x Filter + Durchlauferhitzer: 2,5 L/min 1 x Filter: 2,5 L/min

### TRANSPORT & LAGERUNG

Parameter	Wert
Transportgewicht	Basisset für 2 Filter: 4,5 kg Basisset für 1 Filter: 2,7 kg Basisset für 1 Filter exkl. Antibakterieller Strahlregler: 2,5 kg
Abmessungen der Verpackung	48 cm x 31 cm x 22 cm
Lagerungstemperatur	10 - 50 °C

### ABMESSUNGEN

Komponente	Wert
miscea Coldstream Filtergehäuse	Abb. E

Die Leistungsspezifikationen wurden getestet und zertifiziert.

- Die Verwendung von Wasserfiltern muss allen staatlichen und lokalen Gesetzen entsprechen.
- Die Tests wurden unter Standard-Laborbedingungen durchgeführt, die tatsächliche Leistung kann variieren.
- Systeme, die für die Zystenreduzierung zertifiziert sind, können für desinfizierte Wässer verwendet werden, die filtrierbare Zysten enthalten können.
- Dieser Wasserfilter ist nicht dafür vorgesehen, Abwasser oder Rohabwasser in Trinkwasser umzuwandeln.
- Alle Verunreinigungen, die durch diesen Wasserfilter reduziert werden, sind aufgelistet.
- Möglicherweise sind nicht alle aufgeführten Verunreinigungen in Ihrem Wasser enthalten.





miscea GmbH  
Hauptstraße 2  
14979 Großbeeren  
Germany  
W: [www.miscea.com](http://www.miscea.com)  
E: [info@miscea.com](mailto:info@miscea.com)